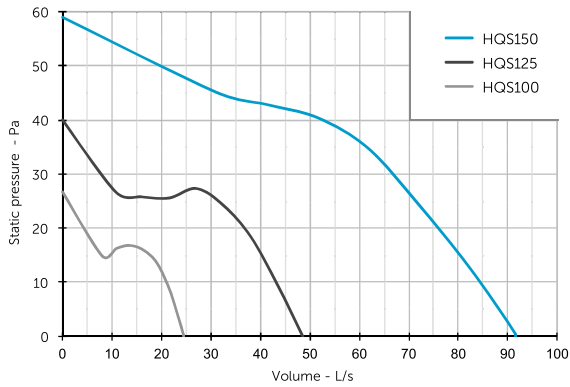


features & benefits

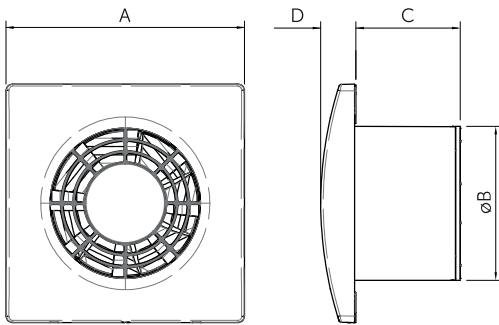
Axial flow fan for window / wall / ceiling mounting

For use in the bathroom, utility or kitchen
 Easy clean, modern, attractive aesthetic front fascia
 Shockproof, heat resistant ABS UV resistant plastic, finished in white (RAL 9010)
 Single phase 220V to 240V 50Hz or 60Hz

curves



dimensional drawing



HQS

Axial Flow Fan

IPX4
splashproof

50°C
temperature



product information

	HQS		
	100	125	150
Airflow (L/s) max	24.5	48.6	91.6
Static Pressure (Pa) max	26	40	58
Power (W) max	8	14	24
Sound Pressure (dBA @ 3m)	26	33	42
Ambient Temperature (°C) max	50	50	50
Price - Standard	HQS### £30.00	£41.00	£64.00
Price - Timer	HQS###T £43.00	£53.00	£76.00

Replace ### with required size.

dimensions

	100	125	150
A	164	184	218
øB	99	119	148
C	70	81	97
D	28	27	27
Weight (kg)	0.49	0.65	1.02

Dimensions in mm.

accessories

	100	125	150
Ceiling Gasket	HCG100	HCG125	HCG150
Fixed Grille	HEG100	HEG125	HEG150
External Gravity Shutters	HES100	HES125	HES150
Window Kit with External Fixed Grille	HWKG100	HWKG125	HWKG150
Window Kit with External Gravity Shutters	HWKS100	HWKS125	HWKS150
Wall Sleeve	HWS100	HWS125	HWS150
Telescopic Pipe	HTP100	HTP125	HTP150
3m Flexible Aluminium Duct	HFD100X3	HFD125X3	HFD150X3

See pages 51 - 54 for accessory prices.